

8V / 170Amp LED ACID BATTERY

Sales: Lindy Mazibuko
+27 81 810 8305 | lindy@jbhsolar.co.za

TECHNICAL SPECIFICATIONS

Model	T-875 With Bayonet
Voltage	8
Material	Polypropylene
Battery	Deep-cycle Flooded / Wet Lead-Acid Battery
Colour	Maroon
Watering	HydroLink™ Watering System

CHARGING INSTRUCTIONS

Charger Voltage Settings (at 77°F / 25°C)			
System Voltage	8V	24V	48V
Bulk Charge	9.88	29.64	59.28
Float Charge	9.00	27.00	54.00
Equalize Charge	10.80	32.40	64.80

Do not install or change batteries in a sealed or non-ventilated compartment. Constant under or overcharging will damage the battery and shorten its life as with any battery

CHARGING TEMPERATURE COMPENSATION

Add	Subtract
0.005 volt per cell for every 1°C below 25°C	0.005 volt per cell for every 1°C above 25°C
0.0028 volt per cell for every 1°F below 77°F	0.0028 volt per cell for every 1°F above 77°F



ELECTRICAL SPECIFICATIONS

Cranking Performance		Capacity ^A Minutes		Capacity ^B Amp-Hours (AH)				Energy (kwh)	Internal Resistance (mΩ)	Short Circuit Current (amps)
C.C.A. ^D @0°F (-18°C)	C.A. ^E @32°F (0°C)	@25Amps	@56Amps	5-Hr	10-Hr	20-Hr	100-Hr	100-Hr	-	-
-	-	295	117	145	155	170	189	1.51	-	-

PRODUCT & PHYSICAL SPECIFICATIONS

BCI Group Size	Type	Voltage	Cell(s)	Terminal Type ^G	Dimensions ^C (mm)			Weight ^H (kg)
					Length	Width	Height ^F	
GC8	T-875	8	4	1.2	260mm	180mm	283mm	29kg

8V / 170Amp LED ACID BATTERY

Sales: Lindy Mazibuko
+27 81 810 8305 | lindy@jbhsolar.co.za



OPERATIONAL DATA

Operating Temperature	Self Discharge
-4°F to 113°F (-20°C to 45°C). At temperatures below 32°F (0°C) maintain a state of charge greater than 60%	5-15% per month depending on storage temperature conditions.

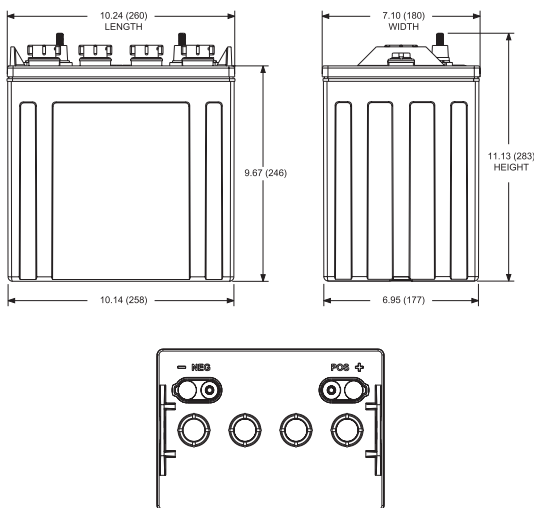
STATE OF CHARGE MEASURE OF OPEN-CIRCUIT VOLTAGE

Percentage Charge	Specify Gravity	Cell	8Volt
100	1.277	2.122	8.49
90	1.258	2.103	8.41
80	1.238	2.083	8.33
70	1.217	2.062	8.25
60	1.195	2.040	8.16
50	1.172	2.017	8.07
40	1.148	1.993	7.97
30	1.124	1.969	7.88
20	1.098	1.943	7.77
10	1.073	1.918	7.67

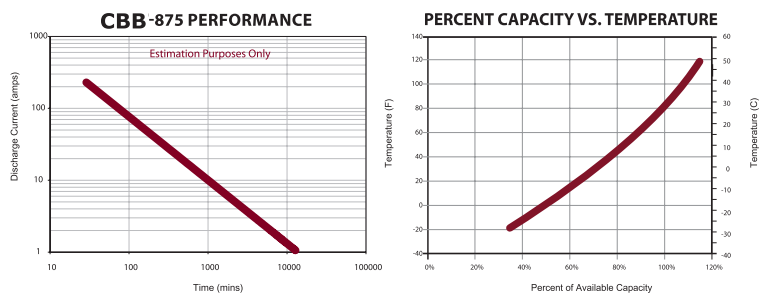
TERMINAL CONFIGURATIONS

1	ELPT	Embedded Low Profile Terminal
		Terminal Height Inches (mm) 1.22(31) Torque Values in-lb (Nm) 95-105 (11-12) Bolt 5/16"
2	EHPT	Embedded High Profile Terminal
		Terminal Height Inches (mm) 1.50 (38) Torque Values in-lb (Nm) 95-105 (11-12) Bolt 5/16"

BATTERY DIMENSIONS (Shown with EHPT)



PERCENT CAPACITY VS. TEMPERATURE



- A. The number of minutes a battery can deliver when discharged at a constant rate at 80°F (27°C) and maintain a voltage above 1.75V/cell. Capacities are based on peak performance.
- B. The amount of amp-hours (AH) a battery can deliver when discharged at a constant rate at 80°F (27°C) and maintain a voltage above 1.75V/cell. Capacities are based on peak performance.
- C. Dimensions may vary depending on type of handle or terminal. Batteries should be mounted with 0.5 inches (12.7mm) spacing minimum.
- D. C.C.A (Cold Cranking Amps) - the discharge load in amperes which a new, fully charged battery can maintain for 30 seconds at 0°F (-18°C) at a voltage above 1.2V/cell.
- E. C.A. (Cranking Amps) - the discharge load in amperes which a new, fully charged battery can maintain for 30 seconds at 32°F (0°C) at a voltage above 1.2V/cell. This is sometimes referred to as marine cranking amps @ 32°F or M.C.A. @ 32°F.
- F. Height taken from bottom of the battery to the highest point on the battery. Heights may vary depending on terminal.
- G. Terminal images are representative only.
- H. Weight may vary.